

Infinite **Challenge!**  
Infinite **Trust!**  
Infinite **Technology!**

## PRESSING & RIVETING MACHINE

4S : Safe



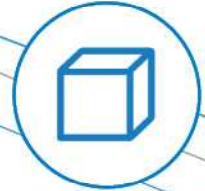
4S : Small



4S : Silent



4S : Simple



## Contents

- Identity / Introduction
- Certification / Index
- Bench Type Hydraulic Pressing Machine(CETTA)
- Option & Application
- Special option (Data Measurement & Managing System)
- C-type hydraulic pressing machine
- 4-post hydraulic pressing machine
- Hydraulic Riveting M/C
- Pneumatic Riveting M/C
- Hydraulic embossing press
- Booster press
- Pneumatic press
- Pneumatic Index Table
- Centering Device
- Simple Application
- Semi-Automatic Application
- Full-Automatic Application



# The Compact is ART

Taking this opportunity, we are very pleased to introduce our company and products we are producing at the factory with a business background of 25years. We have also been supplying (Internal and external) and exporting (Direct and Indirect) over 1,500 Units in a year, a full range of products such as HYDRAULIC PRESSING MACHINE(HHP, HPP, H4P Series), ELECTRO SERVO PRESS(HSVP Series), RIVETING M/C(HHR, HAR Series) to many countries including USA, EU, Japan, China, Thailand, India, Indonesia and others with the high quality products, the most competitive prices and on-time delivery.

**Our Machines are very suitable for, but not limited for the production line as mentioned below**

**\* Assembly and Bending \* Insertion and Compression \* Caulking, staking and Coining  
\* Drawing, Embossing and Marking \* Stamping Blanking, Punching and Trimming \* Riveting and Indexing**

As one of the leading manufactures, the Specification we have offered is really versatile with the good quality items. Taking into consideration of the potential marketing areas, we could supply you with the items on a long-term base. If you need any further information or any other developed items, please refer to our Website : [www.hdpress.com](http://www.hdpress.com).



## Certification

- Patent "Safety control method of table top oil-hydraulic press" [No. 10-1195174]
- Patent "High-efficiency Unit Type Driving Device of Electro Servo Press" [No. 10-1190428]
- Apply for a patent "Control Method of Electro Servo Press"
- Acquired the certificate of Trademark Registration "CETTA"
- Utility model patent registration. [No. 0292489, No. 0359515, No. 0360402]
- Design patent registration. [No. 0334782, No. 0334780, No. 0334780]
- Acquired the certificate of product-specific approved exporter[FTA]
- Venture Business recognition
- Acquired the certificate of ISO 9001 / 14001
- Acquired the Korea Safety Certification System[KCS Mark]
- Acquired the Safety Certification [S Mark]
- Acquired the certificate of Technical Research Institute
- Granted export industrialization business for Small & Medium company
- Acquired the certificate of CE Mark. [Bench Type Hydraulic Pressing & Riveting Machine]
- Acquired the certificate of CE Mark.[HD Press Control Board]
- Acquired the certificate of Design Registration "Electro Servo Press"



# Challenge!

# Over the Challenge!



BENCH TYPE HYDRAULIC PRESSING MACHINE



C-TYPE HYDRAULIC PRESSING MACHINE



4-POST HYDRAULIC PRESSING MACHINE



HYDRAULIC RIVETING M/C



HYDRAULIC RIVETING M/C



PNEUMATIC RIVETING M/C



HYDRAULIC EMBOSSING PRESS



HYDRAULIC EMBOSSING PRESS



BOOSTER PRESS



PNEUMATIC PRESS



PNEUMATIC INDEX TABLE



CENTERING DEVICE



# BENCH TYPE HYDRAULIC PRESSING MACHINE

CETTA Series 

## Features

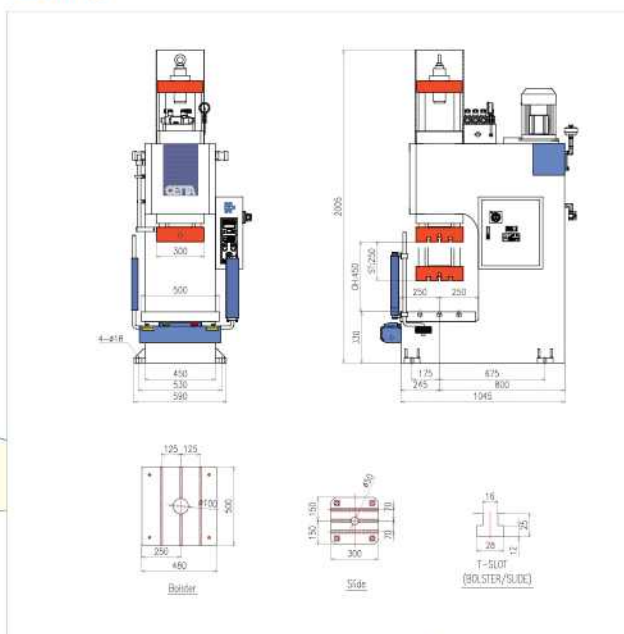
Compact high-performance heavy duty & reliable low noise  
Shank holder with dual screw adjustment Various options

## Specification

Model	CETTA-30
Tonnage Capacity(ton)	6~30
Ram Stroke(mm)	250
Daylight(mm)	450
Ram Closing Speed(mm/sec)	185
Ram Pressing Speed(mm/sec)	12
Ram Opening Speed(mm/sec)	95
Bolster Size(mm x mm)	500x480
Max. Working Pressure(kg-f/cm <sup>2</sup> )	160
Hydraulic Motor(3phase/4P)	3.7kW
Weight(kg)	2,000

※ Standard : 60Hz(Rotation speed of hydraulic motor decrease 17% at 50Hz)

## Drawing



# BENCH TYPE HYDRAULIC PRESSING MACHINE

CETTA Series 

## Features

Compact high-performance heavy duty & reliable low noise  
Shank holder with dual screw adjustment Various options

## Specification

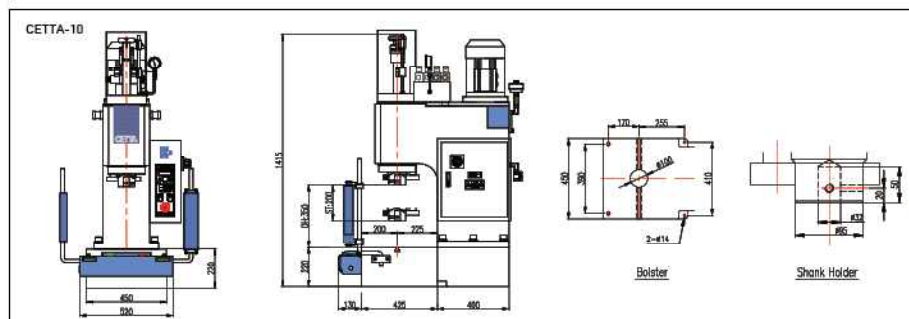
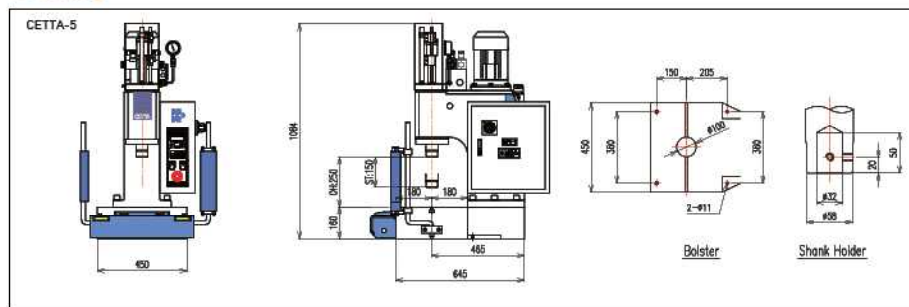
Model	CETTA-2	CETTA-3	CETTA-5	CETTA-10	CETTA-15	CETTA-20
Tonnage Capacity(ton)	0.7-2	1~3	1.5~5	2.9~10	3.2~15	5.2~20
Ram Stroke(mm)	150	150	150	200	200	200
Daylight(mm)	250	250	250	350	390	400
Ram Closing Speed(mm/sec)	142	178	157	218	143	135
Ram Pressing Speed(mm/sec)	89	54	48	21	16	18
Ram Opening Speed(mm/sec)	243	79	70	144	188	131
Bolster Size(mm $\times$ mm)	450 $\times$ 360	450 $\times$ 360	450 $\times$ 360	450 $\times$ 425	520 $\times$ 425	500 $\times$ 450
Max. Working Pressure(kg-f/cm $^2$ )	86	60	98	103	141	116
Hydraulic Motor(3phase/4P)	1.5KW	1.5KW	1.5KW	2.2KW	2.2KW	3.7KW
Weight(kg)	320	350	350	860	1,000	1,400

※ Standard : 60Hz(Rotation speed of hydraulic motor decrease 17% at 50Hz)



[CETTA-2.5]

## Drawing



[CETTA-10,15,20]

# BENCH TYPE HYDRAULIC PRESSING MACHINE

CETTA Series 

## Features

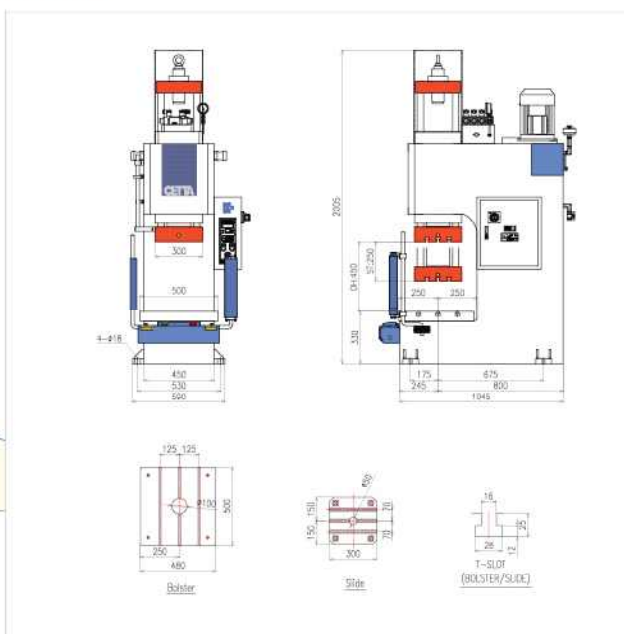
Compact high-performance heavy duty & reliable low noise  
Shank holder with dual screw adjustment Various options

## Specification

Model	CETTA-30
Tonnage Capacity(ton)	6~30
Ram Stroke(mm)	250
Daylight(mm)	450
Ram Closing Speed(mm/sec)	185
Ram Pressing Speed(mm/sec)	12
Ram Opening Speed(mm/sec)	95
Bolster Size(mm x mm)	500x480
Max. Working Pressure(kg-f/cm <sup>2</sup> )	160
Hydraulic Motor(3phase/4P)	3.7kW
Weight(kg)	2,000

※ Standard : 60Hz(Rotation speed of hydraulic motor decrease 17% at 50Hz)

## Drawing





# OPTION & APPLICATION



## Speed Control Valve

Description : to adjust Ram pressing speed



## PLC

Description : to extend control function instead of basic PCB type controller



## Special Daylight

Description : to extend daylight upon customer request



## Indicator

Description : to display pressing force, pressing distance with PLC option and Sensors



## Working table

Description : working table with casters or level bolts



## Loadcell

Description : to measure pressing force with PLC and Indicator



## Oil Fan Cooler

Description : Cooling Down Working Fluid



## Displacement Sensor

Description : to measure Ram stroke with PLC and Indicator

## Application



Bush Insertion



Bearing Insertion



Shaft Insertion



Pin Insertion



Serration Bolting



Riveting



Cable Compression



Terminal Compression



Filter Compression



Embossing



FPCB Cutting



Trimming



Staking



Forming



Marking

# Special Option (Data Measurement and Managing System)

PRESS DOCTOR / LITTLE PRESS DOCTOR



## Features

### 1) User friend Interface

- Little press doctor : Graphic Multi Meter
- Press doctor : 17" monitor with Window O. S. based P.C.
- Adjustable User Interface (graph color, background, etc...)
- Loading pre-setted configuration value for easy configuration

### 2) Measuring sensor

- Force : Loadcell (upon customer request)
- Displacement : LVDT type (upon customer request)

### 3) Display working data

- Pressing force (Maximum, Minimum, Average)
- Working range (Display Ram stroke automatically)

### 4) Data management

- Work Count (Total, Good product, No Good product)
- Data classification and storage (per day/month, year/worker)
- Data store (SD memory, Hard disk)

### 5) Judgment

- Good product (OK), No good product (NG)
- Master graph, block

## Data Display window(ex. insertion process)



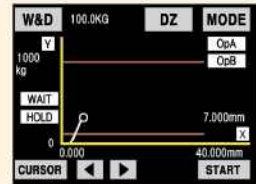
### 1. Ready state

setting configuration



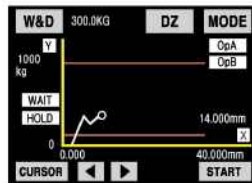
### 2. Jig approach and contact state

display initial contact force (peak value)  
ex) initial contact force : 100kg-f



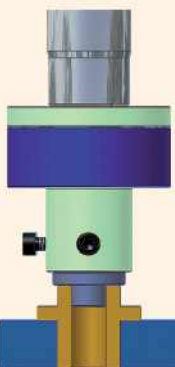
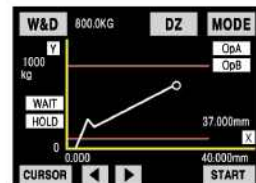
### 3. Insertion start state

display insertion starting force  
ex) starting force : 300kg-f



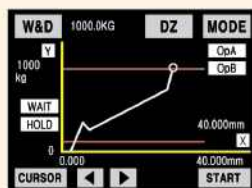
### 4. Prior state of Finish

display insertion force at the end of process  
ex) Insertion force : 800kg-f



### 5. Insertion Finish state

display insertion finish force  
ex) Insertion force : 1,000kg-f

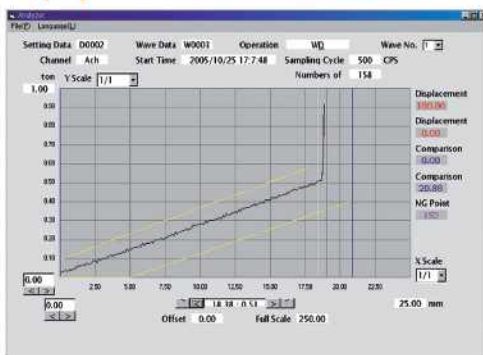


### 6. Judgment state

judge Ok or NG refer to reference specification.



## Display window



[LITTLE PRESS DOCTOR]



[PRESS DOCTOR]

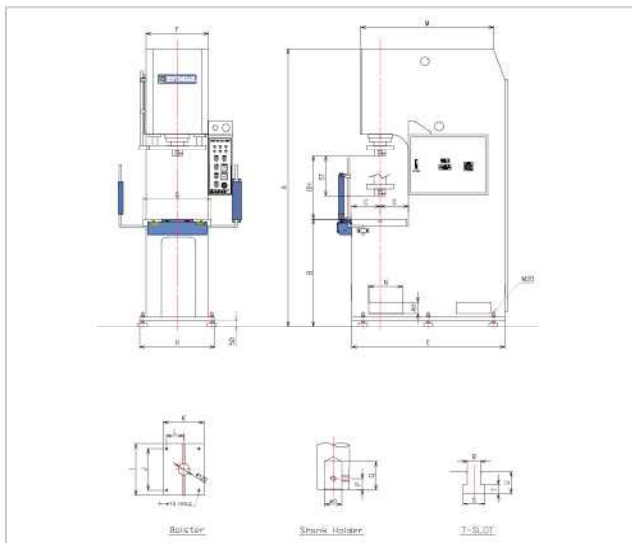
# C-TYPE HYDRAULIC PRESSING MACHINE

HHP Series

## Features

Compact high-performance heavy duty & reliable low noise  
custom configuration and design Various options

## Drawing



## Specification

Model	HPP-3	HPP-5	HPP-10	HPP-15	HPP-20	HPP-30	HPP-40	HPP-50	HPP-100
Tonnage Capacity(ton)	0.7~3	1~5	1.5~10	2~15	2.5~20	3~30	4~40	5~50	
Ram Opening Tonnage Capacity(ton)	0.5	0.65	1.5	1.6	2.2	3.4	3.9	4.9	
Ram Stroke(mm)	200	250	300	300	350	350	400	400	
Daylight(mm)	300	400	450	500	550	550	600	600	
Ram Closing Speed(mm/sec)	214	185	146	146	171	144	144	165	
Ram Pressing Speed(mm/sec)	35	45	37	21	31	18	14	16	
Ram Opening Speed(mm/sec)	128	174	156	96	130	148	133	152	
Bolster Size(mm×mm)	450x330	500x375	550x425	600x425	600x500	600x500	700x600	700x600	
Max. Working Pressure(kg·f/cm <sup>2</sup> )	70	98	160	140	155	133	140	175	
Hydraulic Pump(L/min)	9.6	14	14	14	24.5	24.5	24.5	28	
Hydraulic Motor(3phsse/4P)	1.5kW	2.2kW	3.7kW	3.7kW	7.5kW	7.5kW	7.5kW	11kW	
Hydraulic Tank Capacity(L)	60	80	90	100	120	140	160	170	

※ Standard : 60Hz(Rotation speed of hydraulic motor decrease 17% at 50Hz)

# 4-POST HYDRAULIC PRESSING MACHINE

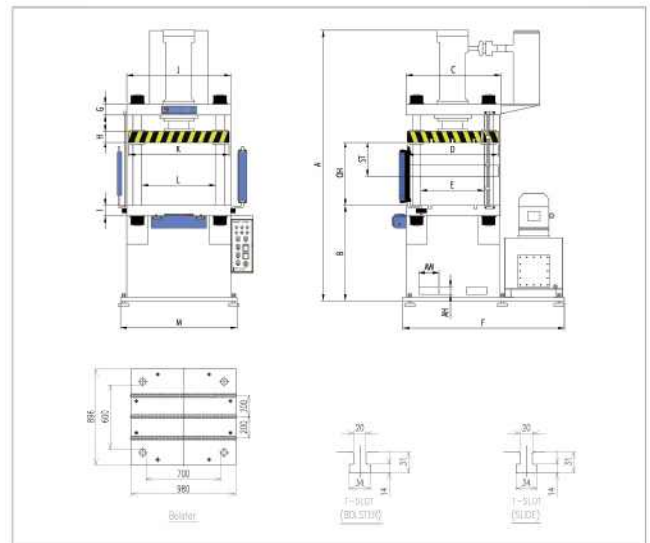
H4P Series



## Features

Compact high-performance heavy duty & reliable low noise custom configuration and design Various options

## Drawing



## Specification

Model	H4P-3	H4P-5	H4P-10	H4P-15	H4P-20	H4P-30	H4P-40	H4P-50	H4P-100
Tonnage Capacity(ton)	0.7~3	1~5	1.5~10	2~15	2.5~20	3~30	4~40	5~50	
Ram Opening Tonnage Capacity(ton)	0.5	0.65	1.5	1.6	2.2	3.4	3.9	4.9	
Ram Stroke(mm)	200	250	300	300	350	350	400	400	
Daylight(mm)	300	400	450	500	550	550	600	600	
Ram Closing Speed(mm/sec)	214	185	146	146	171	144	144	165	
Ram Pressing Speed(mm/sec)	35	45	37	21	31	18	14	16	
Ram Opening Speed(mm/sec)	128	174	156	96	130	148	133	152	
Bolster Size(mm×mm)	450×330	500×375	550×425	600×425	600×500	600×500	700×600	700×600	
Max. Working Pressure(kg-f/cm <sup>2</sup> )	70	98	160	140	155	133	140	175	
Hydraulic Pump(L/min)	9.6	14	14	14	24.5	24.5	24.5	28	
Hydraulic Motor(3phase/4P)	1.5kW	2.2kW	3.7kW	3.7kW	7.5kW	7.5kW	7.5kW	11kW	
Hydraulic Tank Capacity(L)	60	80	90	100	120	140	160	180	

※ Standard : 60Hz(Rotation speed of hydraulic motor decrease 17% at 50Hz)

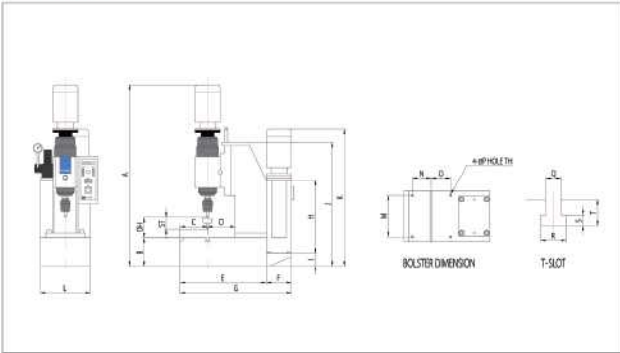
# HYDRAULIC RIVETING M/C

HHR B Series

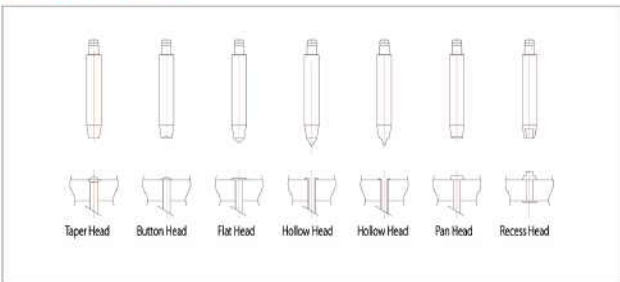
## Features

Compact high-performance heavy duty & reliable  
Low Noise Hydraulic & Electrical Bench-Type

## Drawing



## Shape of Punch



## Specification

Model	HHR-10	HHR-15
Riveting Capacity(mm)	ø 3-10	ø 5-15
Max. Stroke(mm)	35	45
Daylight(Adjustable Range : mm)	80-180	90-235
Bolster Size(mmxmm)	320x350	400x305
Floor Space(mmxmm)	320x710	400x875
Working Pressure(kg-f/cm <sup>2</sup> )	35	60
Power(kg-f)	1,500	2,500
Motor(3Phase/4P)	Spindle motor	0.75kW
	Hydraulic motor	0.75kW
Weight(kg)	350	400

※ Standard : 60Hz(Motor rotation speed decrease 17% at 50Hz)

# HYDRAULIC RIVETING M/C

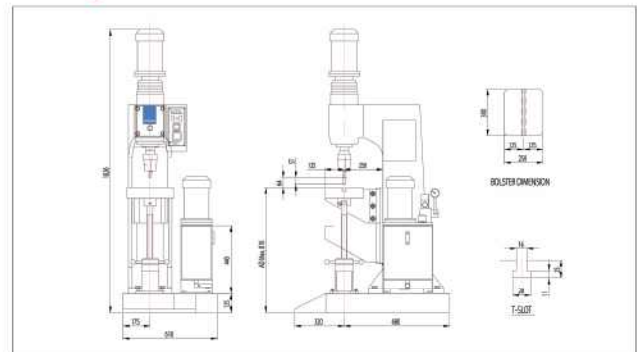
HHR S Series



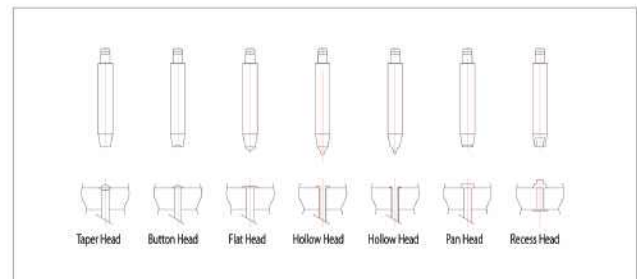
## Features

Compact high-performance heavy duty & reliable  
Low Noise Hydraulic & Electrical Stand-Type

## Drawing



## Shape of Punch



## Specification

Model		HHR-10S	HHR-15S
Riveting Capacity(mm)		ø 3-10	ø 5-15
Max. Stroke(mm)		35	45
Daylight(Adjustable Range : mm)		68-268	65-315
Bolster Size(mm $\times$ mm)		200 $\times$ 130	300 $\times$ 250
Floor Space(mm $\times$ mm)		460 $\times$ 700	610 $\times$ 1000
Working Pressure(kg-f/cm $^2$ )		35	60
Power(kg-f)		1,500	2,500
Motor(3Phase/4P)	Spindle motor	0.75kW	1.5kW
	Hydraulic motor	0.75kW	1.5kW
Weight(kg)		700	900

※ Standard : 60Hz(Motor rotation speed decrease 17% at 50Hz)

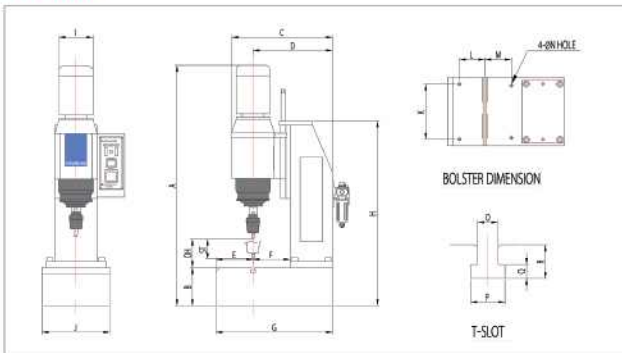
# PNEUMATIC RIVETING M/C

HAR Series

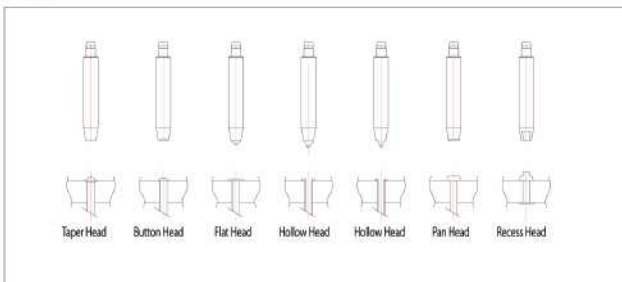
## Features

Compact high-performance heavy duty & reliable  
Low Noise Pneumatic & Electrical Bench-Type

## Drawing



## Shape of Punch



## Specification

Model	HAR-3	HAR-5	HAR-10
Riveting Capacity(mm)	ø 0.5~3	ø 0.5~5	ø 3~10
Max. Stroke(mm)	30	40	40
Daylight(Adjustable Range : mm)	35~160	35~170	60~190
Bolster Size(mmxmm)	250x190	280x220	320x330
Floor Space(mmxmm)	250x335	280x390	320x550
Power(kg-f)	150	500	1,300
Motor(3Phase/4P)	Spindle motor		
	0.2kW	0.4kW	0.75kW
Weight(kg)	60	120	270

※ Standard : 60Hz(Motor rotation speed decrease 17% at 50Hz) / ※ Working pressure(Air) : 5~6(kg-f/cm<sup>2</sup>)



# HYDRAULIC EMBOSSING PRESS

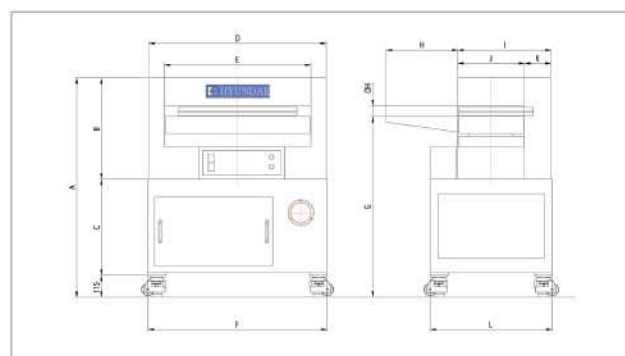
HMP Series



## Features

High-performance heavy duty & reliable Low Noise  
Compact for Vehicle Number plate and Medal pressure

## Drawing



## Application



## Specification

Model	HMP-6 (Two & Four wheelers)	HMP-80 (Commercial Vehicle)	HMP-80L (Heavy Commercial Vehicle)
Tonnage Capacity(ton)	3~6	18~80	18~80
Ram Stroke(mm)	20	20	20
Daylight(mm)	57	55	55
Ram Speed(mm/sec)	9	8	8
Bolster Size(mm $\times$ mm)	310 $\times$ 210	560 $\times$ 350	700 $\times$ 350
Max. Working Pressure(kg-f/cm $^2$ )	100	130	130
Hydraulic Motor(3Phase/4P)	0.75kW	1.5kW	1.5kW
Tank Capacity(L)	12	15	15

※ Standard : 60Hz[Rotation speed of hydraulic motor decrease 17% at 50Hz]

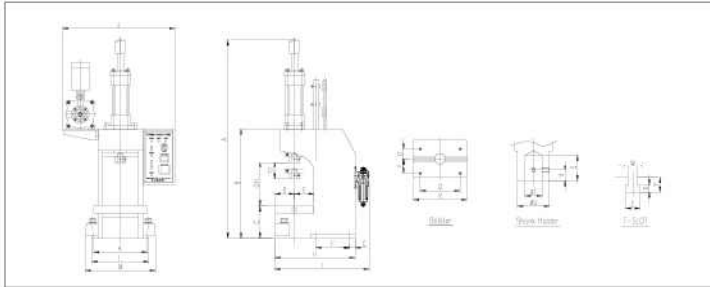
# BOOSTER PRESS

## HBP Series

### Features

Compact High-performance heavy duty & reliable

### Drawing



### Specification

Model	HBP-3	HBP-5	HBP-7.5	HBP-10	HBP-12	HBP-15	HBP-20	HBP-30	HBP-40
Tonnage Capacity(ton)	3	5	7.5	10	12	15	20	30	40
Ram Stroke(mm)	100	100	100	100	80	80	70	70	70
Ram Power Stroke(mm)	30	20	12	10	8	7	8	8	8
Hydraulic Cylinder Diameter(ø)	63	80	100	100	125	125	140	160	180
Daylight(mm)	170	200	250	250	300	300	350	350	350
Bolster Size[mmxmm]	260x210	300x210	350x230	350x230	450x260	450x260	430x265	470x340	510x360

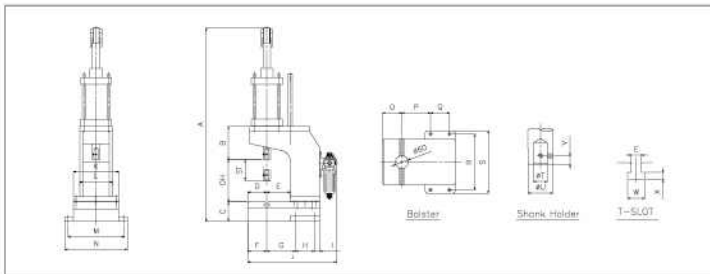
# PNEUMATIC PRESS

## HP Series

### Features

Compact High-performance heavy duty & reliable  
Clean Environment Easy Maintenance

### Drawing



### Specification

Model	HP-200	HP-300	HP-500	HP-750	HP-1000	HP-1500	HP-2000	HP-3000
Tonnage Capacity(ton)	0.2	0.3	0.5	0.75	1	1.5	2	3
Ram Stroke(mm)	75	75	100	100	100	100	100	100
Reach(mm)	100	100	110	115	140	140	180	180
Daylight(mm)	170	170	200	200	250	250	300	300
Pneumatic Cylinder Inner Diameter(ø)	80	100	125	150	180	150(Tandem)	180(Tandem)	200(Tandem)
Bolster Size[mmxmm]	175x180	175x180	215x200	250x215	300x260	320x260	350x330	350x330
Air Connecting Hose Diameter(ø)	8	8	10	10	12	12	12	12

\* Working pressure[Air] : 5-6(kg-f/cm<sup>2</sup>)

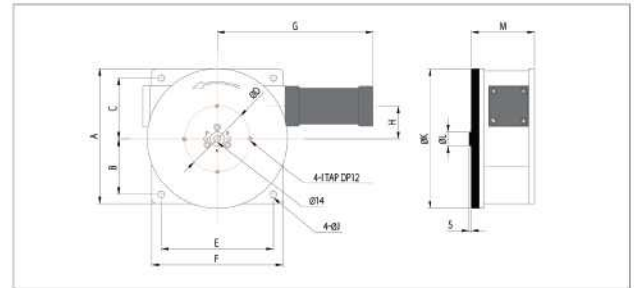
# PNEUMATIC INDEX TABLE

HAIT Series

## Features

Compact High-performance Precision  
Compatibility Clean Environment

## Drawing



## Specification

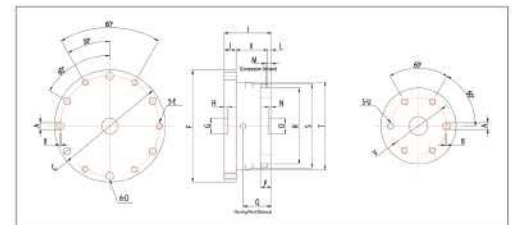
Model	HAIT-300	HAIT-400
Connecting Thread	PT 3/8", ø 8	-
Working Pressure(kg-f/cm <sup>2</sup> )	5-7	-
Indexing Table Diameter(mm)	300	-
Stage	4, 6, 8, 12, 24	-
Indexing Accuracy	0.05	-
Loading Capacity(kg)	90	-
Weight(kg)	35	-

# CENTERING DEVICE

ACP & ACA Series

Centering device reduce error rate by modifying error (position error and angular error), when various precision parts assembly process. It improves product quality and reduce the time of building a production line.

## Drawing



## Specification

ITEM		Insertion	ACP-0.5T	ACP-1T	ACP-3T	ACP-5T	ACP-10T	ACP-15T	ACP-20T	ACP-30T	ACP-50T
		Assembly	ACA-0.1T	ACA-0.2T	ACA-0.3T	ACA-0.5T	-	-	-	-	-
Insertion	Allowable Load	Compression Direction(Kg-f)	500	1000	3000	5000	10000	15000	20000	30000	-
		Tensile Direction(Kg-f)	30	40	50	60	70	80	80	80	-
	Variable Load	Variable Load(Kg)	5	5	6	6	8	8	10	10	-
		Weight(Kg)	0.7	1	1.3	1.8	2.8	4	5.5	6	-
Assembly	Allowable Load	Compression Direction(Kg-f)	100	200	300	500	-	-	-	-	-
		Tensile Direction(Kg-f)	10	20	30	30	-	-	-	-	-
	Variable Load	Variable Load(Kg)	5	5	6	6	-	-	-	-	-
		Weight(Kg)	0.5	0.7	0.9	1.1	-	-	-	-	-

# SIMPLE APPLICATION



**CETTA**  
**Motor Cover Caulking**  
Model CETTA-5



**CETTA**  
**MDPS Motor Shaft Punching**  
Model CETTA-20



**CETTA**  
**Control Arm Pin Insertion**  
Model CETTA-10



**HYUN DAE**  
**Bearing Insertion**  
Model HPP-5



**HYUN DAE**  
**Serration Bolt Insertion**  
Model HPP-60



**CETTA**  
**Mobile Phone Case Trimming**  
Model CETTA-10



**Powder Compression**  
Model H4P-20



**Tempering**  
Model H4P-60



**Break Housing Insertion**  
Model H4SP-100



**Plate adhesion**  
Model H4P-100



**PDP Frame Riveting**  
Model H4P-100



**Flattening Tester**  
Model H4P-100

# SEMI-AUTOMATIC APPLICATION



**2-way Horizontal Ball Bush Insertion M/C**

Hydraulic & Pneumatic Cyl` Unit  
 Marking Unit  
 Load cell, Displacement sensor



**Cap sub parts assembling M/C**

Riveting M/C: Model HAR-3  
 6-Stage Pneumatic Indexing table  
 Parts Loading / Unloading Unit



**Bush Insertion M/C for Different Length CETTA**

Bench Type Hydraulic Press : Model CETTA-10 2 Units  
 Pressing / Sliding Unit  
 Full Proof function



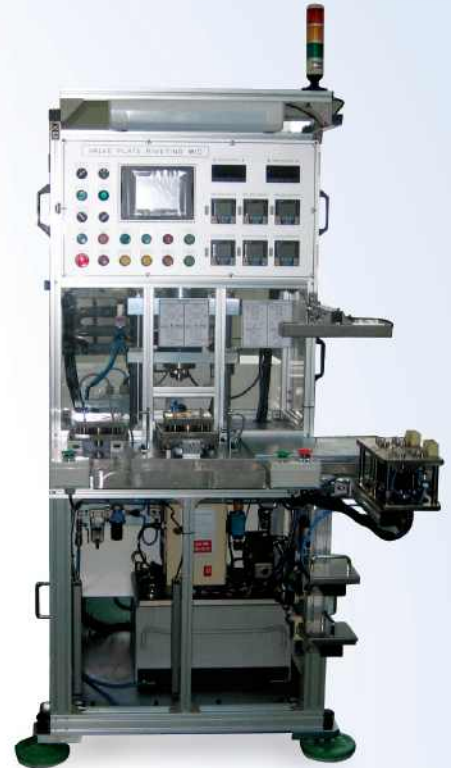
**Muffler Suppoter Riveting M/C CETTA**

Bench Type Hydraulic Press : Model CETTA-5  
 Pick & Place / Sliding Unit

# FULL-AUTOMATIC APPLICATION

## Valve Plate Riveting M/C

Pressing Unit  
Riveting Jig Unit  
Feeding / Inspection Unit



## Valve Plate Embossing M/C

Pressing / Embossing Jig Unit  
4-Stage CAM Indexing table Unloading  
& Stocking Unit

## Auto-Trimming M/C

Trimming Unit : H4P-30  
Roller Conveyor Unit  
Pneumatic Cyl' Unit



## Auto-Punching M/C

Pressing Unit  
Riveting Jig Unit  
Feeding / Inspection Unit



## PRESSING & RIVETING MACHINE

### HEAD OFFICE/FACTORY

[NEW] 36-9, Seongseogongdan-ro 47-gil, Dalseo-gu, Daegu (Seoul 704-190 Korea)

[OLD] 404-25, Jang-dong, Dalseo-gu, Daegu (Seoul 704-190 Korea)

Tel : +82-53-588-4011-5 Fax : +82-53-584-3102

Website : [www.hdpress.com](http://www.hdpress.com), E-mail : [hdpress@hdpress.com](mailto:hdpress@hdpress.com)